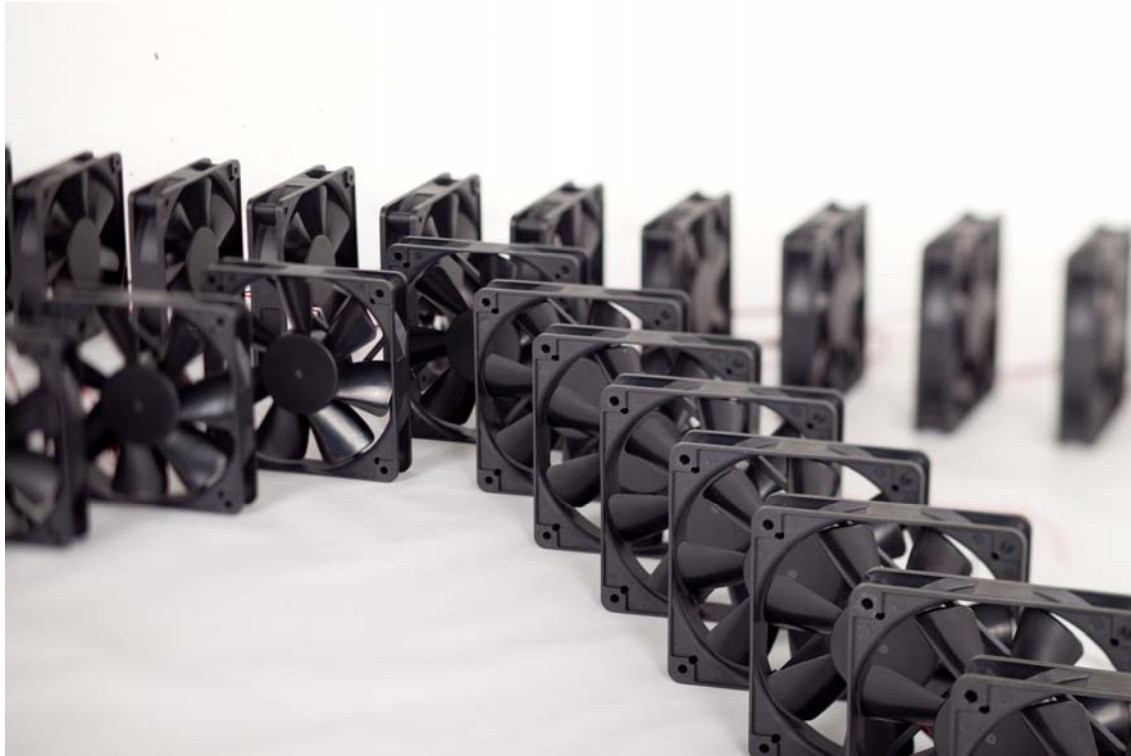


## The instruction for DC fan



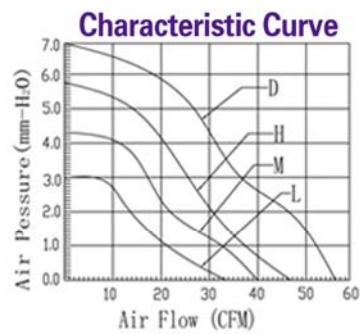
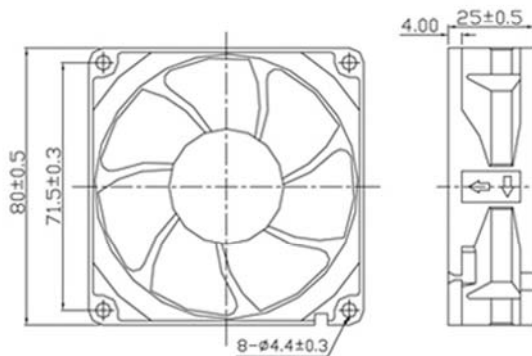




**GD8025-0-01**  
**(60\*80\*25mm)**

**FEATURES**

- **BEARING SYSTEM:**  
SLEEVE BARING&BALL BEARING
- **IMPELLER:**  
PLASTIC WITH FIBER GLASS FILLED UL 94V-0
- **HOUSING:**  
PLASTIC WITH FIBER GLASS FILLED UL94V-0
- **CONNECTOR:**  
WIRE LEADS
- **TEMPERATURE:**  
-10℃~+70℃(Operation)  
-40℃~+70℃(Storage)



**SPECIFICATIONS**

Model	Bearing System	Rated Voltage (VDC)	Startup Voltage (VDC)	Current (A)	Speed (RPM)	Air Flow (CFM)	Static Pressure (mmH <sub>2</sub> O)	Noise Level (dBA)	Weight (g)
GD8025B12L-01	Sleeve or ball	12	6.0	0.10	2500	33.41	2.99	28.89	74.0
GD8025B12M-01	Sleeve or ball	12	6.0	0.15	3000	40.01	4.30	32.89	74.0
GD8025B12H-01	Sleeve or ball	12	6.0	0.20	3500	46.71	5.85	36.19	74.0
GD8025B12U-01	Sleeve or ball	12	6.0	0.28	4200	56.01	7.01	40.79	74.0
GD8025B24L-01	Sleeve or ball	24	12.0	0.08	2500	33.41	2.99	28.89	74.0
GD8025B24M-01	Sleeve or ball	24	12.0	0.10	3000	40.01	4.30	32.89	74.0
GD8025B24H-01	Sleeve or ball	24	12.0	0.13	3500	46.71	5.85	36.19	74.0
GD8025B24U-01	Sleeve or ball	24	12.0	0.19	4200	56.01	7.01	40.79	74.0

Dong Guan GTS Industry Group Limited produces brushless DC (direct current) fan, whose outside frame and blade using PBT modified plastic

PBT plus VO pole fire retardant injection mold one-off shaping. This sort of fan is strictly tested (including dielectric strength, moisture-proof, cold resistance, thermostability, impact strength, longevity experiment, etc.) before leaving factory. GTS fan applies widely to accurate apparatus, computer, generating equipment. Clients can use it with no worry.

Fan frame: Injection molded one-off shaping, PBT +30% Fiberglas + VO pole fire resistant agent

Fan blade: Injection molded one-off shaping, PBT +30% Fiberglas + VO pole fire resistant agent

Operating temperature: -10 centigrade to +70 centigrade

Storing temperature: -40 centigrade to +70 centigrade

Bearing: high precision NMB ball bearing

Low noise imported sleeve bearing

Power range: nominal tension  $\pm 15\%$

Insulating Electric Resistance: over 500 mega-ohm

Withstand Voltage: Leaking current 0.5ma,1500/one minute

**For further more information, please be free to contact us:**

PHONE: +86-769-81606271

FAX: +86-769-81606271

MOBILE: +8613662733522

EMAIL: [aaron.gts@gtsprima.com](mailto:aaron.gts@gtsprima.com)

Aaron.GTS Sales Manager

1004, YingHui Building, ChunHui Park, TiYu Road, JingXia Administration Zone, Chang An Town, DongGuan, Guangdong, China

GTS Industry Group Limited

USA Branch:

690 Gerard Avenue

Bronx New York 10451, USA

GTS Industry Group Limited

Taiwan Branch

80790 NO.15 Dingzhen street, SanMin Zone, GaoXiong, TaiWan.