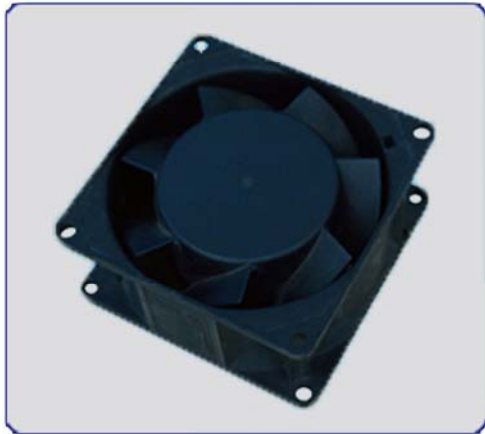


The instruction of AC Fan



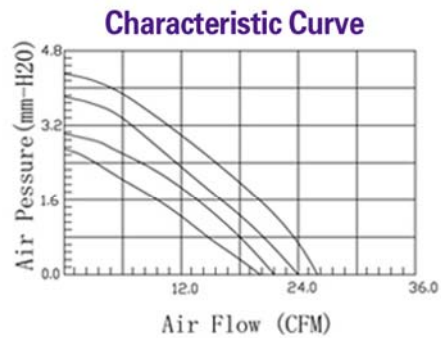
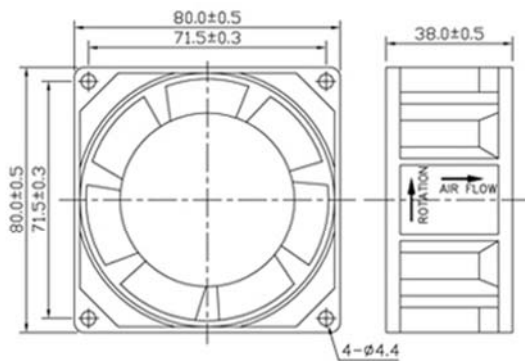


GA8038-01

(80*80*38mm)

FEATURES

- ⊙ **BEARING SYSTEM:**
SLEEVE BARING&BALL BEARING
- ⊙ **IMPELLER:**
PLASTIC WITH FIBER GLASS FILLED UL 94V-0
- ⊙ **HOUSING:**
PLASTIC WITH FIBER GLASS FILLED UL94V-0
- ⊙ **CONNECTOR:**
WIRE LEADS
- ⊙ **TEMPERATURE:**
-10℃~+70℃(Operation)
-40℃~+70℃(Storage)



SPECIFICATIONS

Model	Bearing System	Rated Voltage (AC)	Current (A)	Speed (RPM)	Air Flow (CFM)	Static Pressure (mmH ₂ O)	Noise Level (dBA)	Weight (g)
GA8038B22H-01	Sleeve or ball	220-240/50HZ	0.08	2400	21.71	3.01	29.29	335
GA8038B22M-01	Sleeve or ball	220-240/50HZ	0.06	2300	20.31	2.71	21.69	335
GA8038B11U-01	Sleeve or ball	110-125/60HZ	0.20	2900	26.01	4.31	34.59	335
GA8038B11H-01	Sleeve or ball	110-125/60HZ	0.10	2600	24.01	3.81	31.59	335

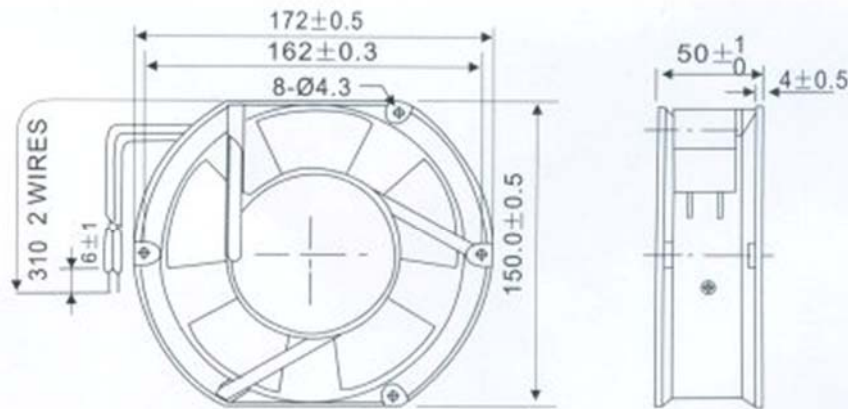


GA17250-02

(172*150*50mm)

FEATURES

- BEARING SYSTEM:
SLEEVE BARING&BALL BEARING
- IMPELLER:
PLASTIC WITH FIBER GLASS FILLED UL 94V-0
- HOUSING:
PLASTIC WITH FIBER GLASS FILLED UL94V-0
- CONNECTOR:
WIRE LEADS
- TEMPERATURE:
-10℃~+70℃(Operation)
-40℃~+70℃(Storage)



SPECIFICATIONS

规格型号 Model No.	轴承 Dual Ball Sleeve Ball	电压 Voltage (V)	输入功率 Inputpower (W)	频率 Frequency (Hz)	电流 Current (AMP)	转速 Speed (R/min)	风量 Air/flow (M ³ /min)	噪声 Noise dB(A)	绝缘电阻 Insulation Resistance	耐压 Resist Strength	重量 Weirght (Kg)
GA17250S11H-02	Sleeve	110/120	36/34	50/60	0.50/0.48	2600/3000	5.0/5.5	55/60	AC1500V~100MΩ	1500V/min	0.95
GA17250S22H-02	Sleeve	220/240	36/34	50/60	0.25/0.24	2600/3000	5.0/5.5	55/60	AC1500V~100MΩ	1500V/min	0.95
GA17250B11H-02	Dual Ball	110/120	36/34	50/60	0.50/0.48	2600/3000	5.0/5.5	60/65	AC1500V~100MΩ	1500V/min	0.95
GA17250B22H-02	Dual Ball	220/240	36/34	50/60	0.25/0.24	2600/3000	5.0/5.5	60/65	AC1500V~100MΩ	1500V/min	0.95

The frame of AC fan is Durable-cast Aluminum ,and the impeller is PBT (Thermoplastic black U1-94-VO),There are two kind of bearing system: ball and sleeve. Clients can choose the bearing system according to their requirement. GTS fan widely applies to accurate apparatus, generating equipment, warm-air blower, electric welder. Before leaving factory, GTS fan is strictly tested(including dielectric strength, moisture-proof, cold resistance, thermostability, impact strength, longevity experiment, etc.)It can be used safely.

Motor: Shaded pole motor structure

Frame: Black paint , Durable-cast Aluminum, Moisture and antisepsis proof

Fan blade: PBT(Thermoplastic black U1-94-VO)

Bearing: High precision, long life NMB ball bearing; Low-noise imported sleeve bearing

Insulation: B class with 120 centigrade high-temperature resistance.

Insulating Electric Resistance: over 500 mega-ohm

Withstand Voltage: Leaking current 0.5 mA, withstand voltage 1500V/minute.

Operating temperature:-10 centigrade to +70 centigrade

Storing temperature:-40 centigrade to +70 centigrade

Operating Voltage:115V (from 85V to 125V)

220V (from 185V to 245V)

For further more information, please be free to contact us:

PHONE: +86-769-81606271

FAX: +86-769-81606271

MOBILE: +8613662733522

EMAIL: aaron.gts@gtsprima.com

Aaron.GTS Sales Manager

1004, YingHui Building, ChunHui Park, TiYu Road, JingXia Administration Zone, Chang An Town,
DongGuan, Guangdong, China

GTS Industry Group Limited

USA Branch:

690 Gerard Avenue

Bronx New York 10451, USA

GTS Industry Group Limited

Taiwan Branch

80790 NO.15 Dingzhen street, SanMin Zone, GaoXiong, TaiWan.